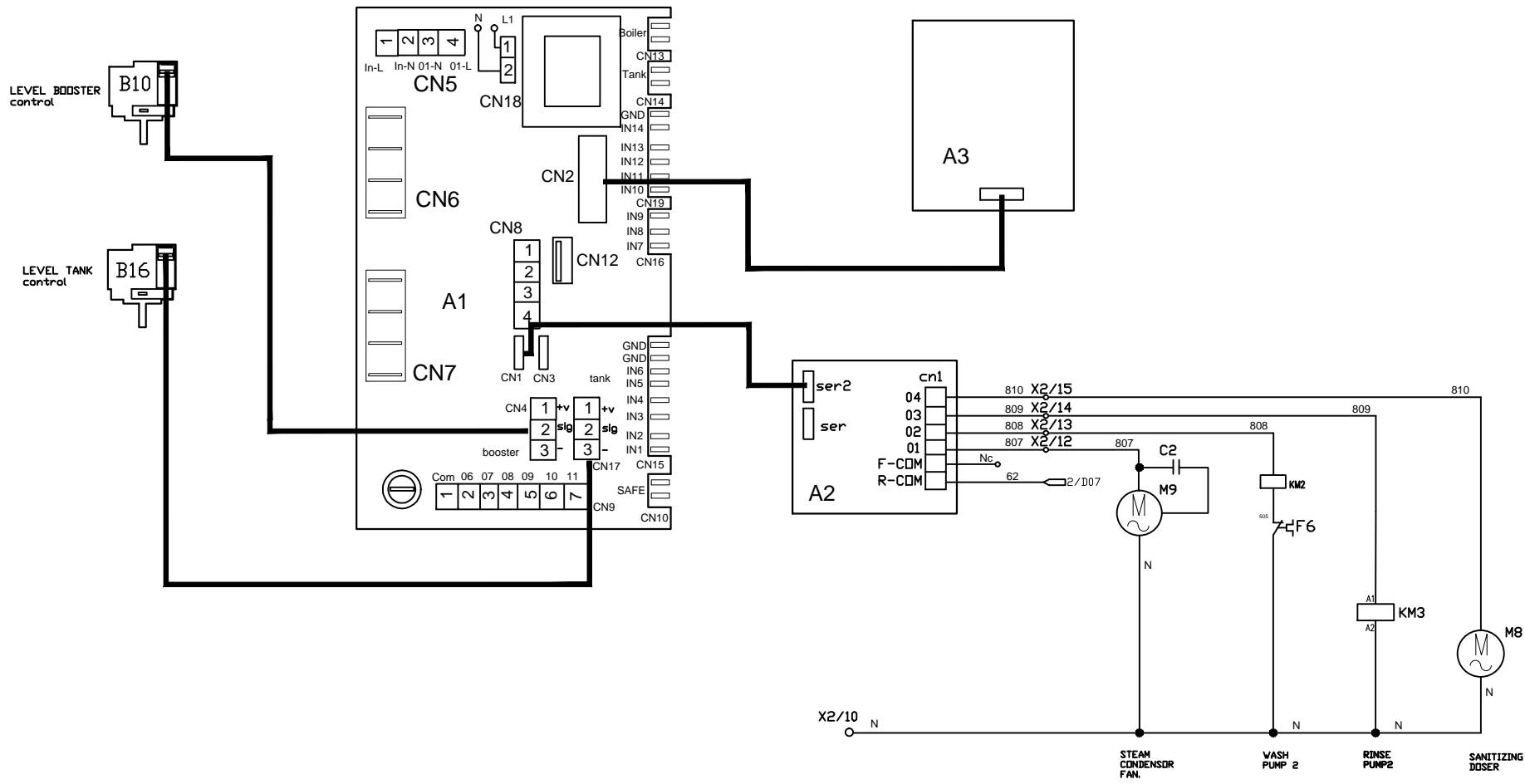


OPTIONAL

code Machine .4 /5		denomination WIRING DIAGRAMM		Codice 82181	
re-examined	date 05/04/18			n°/file mod	
inspected by	date	Dishwashers		82181 -5	
validated by	date/date	total blat 6	N° blat 1	Next blat -2	

DESCRIZIONE	SOSTITUISCE	DATA
-5 Aggiunta ventola quadro		

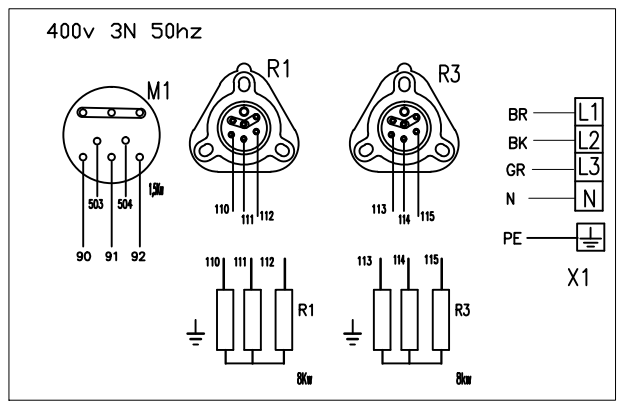
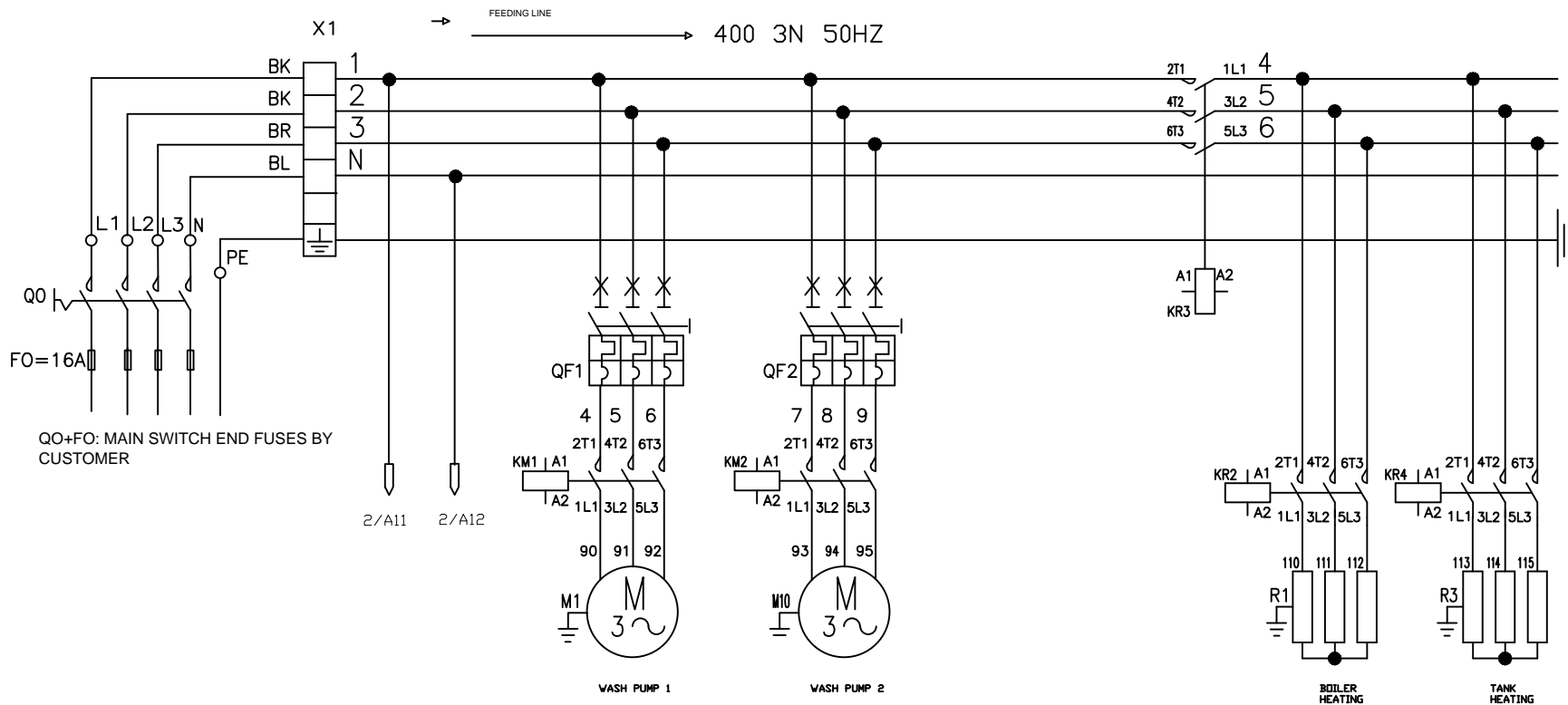


OPTIONAL

DESCRIZIONE	SOSTITUISCE	DATA
-3		
-2		

code Machine		denominazione		Codice	
re-examined	data/date	WIRING DIAGRAMM		82181	
05/04/18					
inspected by	date	Dishwashers		n°/file	mod
validated by	date/date	total blat	N° blat	Next blat	
		6	2	-3	

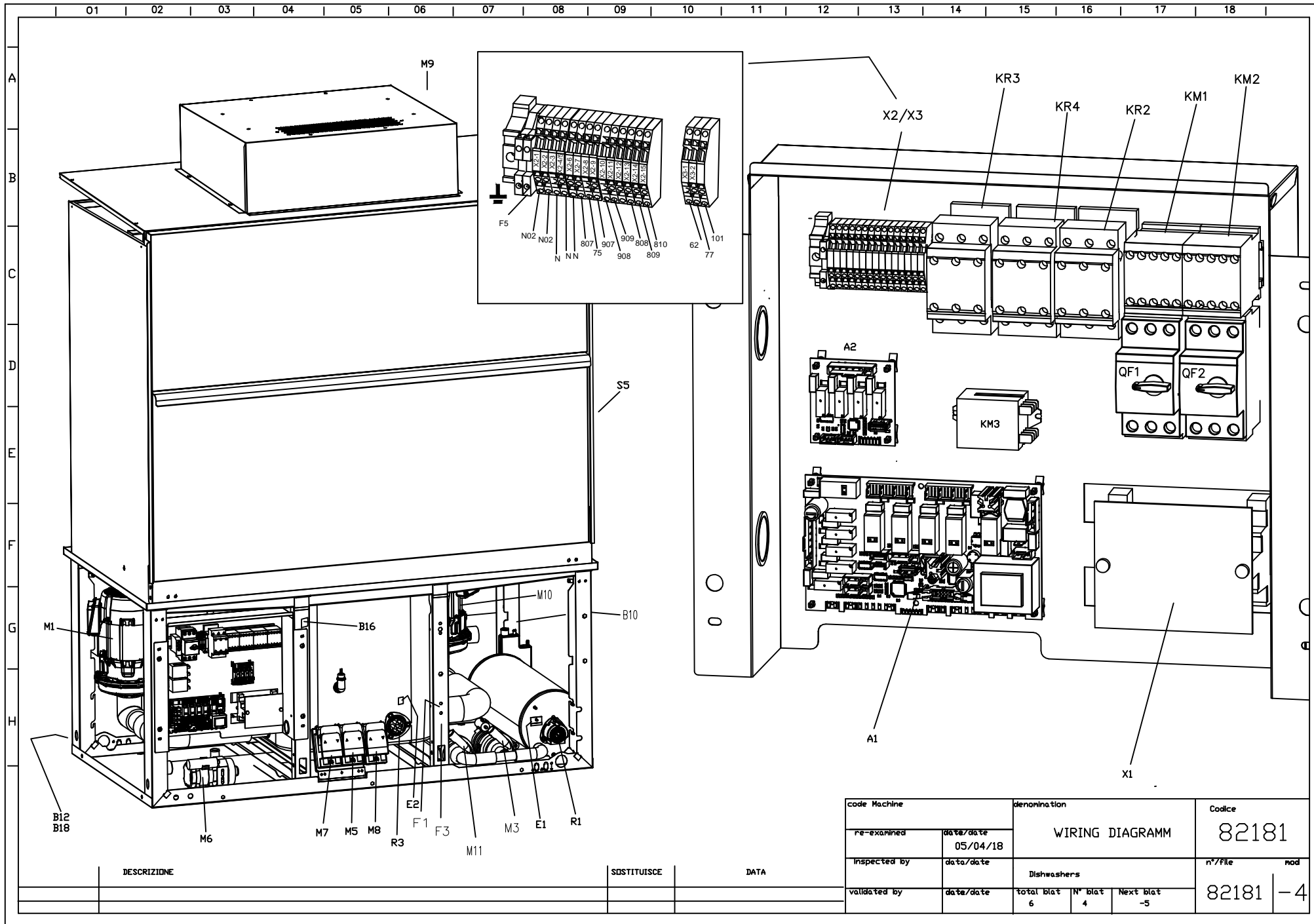
82181 -4



OPTIONAL

DESCRIZIONE	SOSTITUISCE	DATA
-3		
-2		

code Machine		denomination			Codice	
re-examined	data/date	WIRING DIAGRAMM			82181	
inspected by	date					
validated by		Dishwashers			n°/file	mod
		total blat	N° blat	Next blat	82181	-4
		6	3	-4		

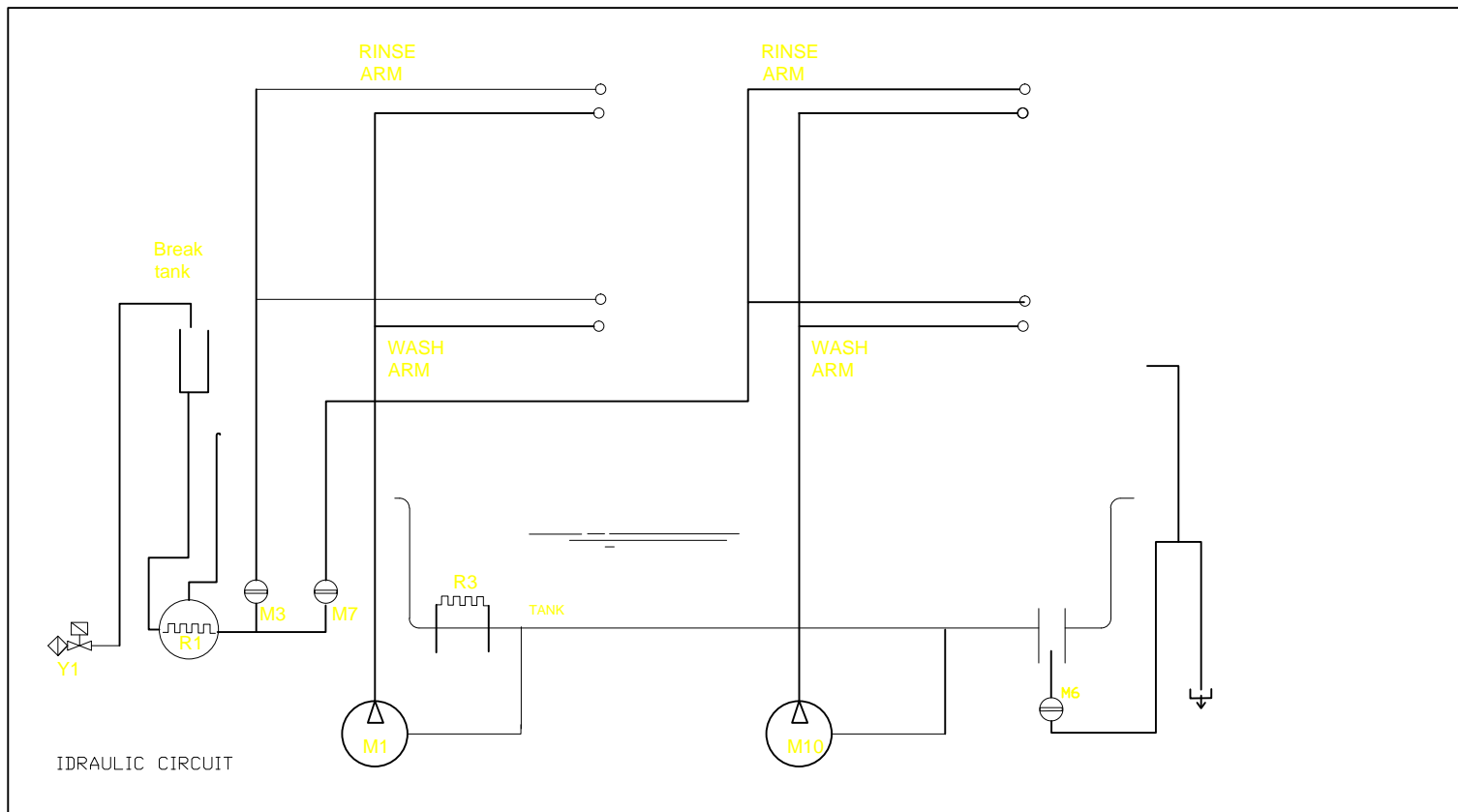


DESCRIZIONE

SOSTITUISCE

DATA

code Machine		denomination		Codice	
re-examined	date/date	WIRING DIAGRAM		82181	
	05/04/18				
inspected by	date/date	Dishwashers		n°/file	mod
validated by	date/date	total blat	N° blat	Next blat	
		6	4	-5	
				82181	-4

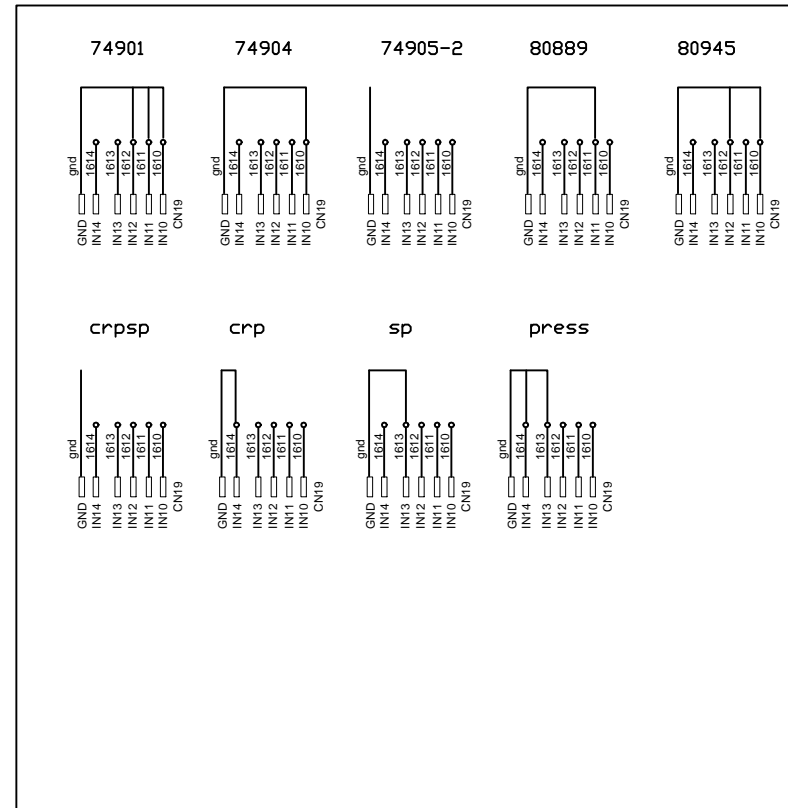


DESCRIZIONE	SDSTITUISCE	DATA

code Machine		denomination			Codice	
re-examined	date/date	WIRING DIAGRAMM			82181	
	05/04/18					
inspected by	date/date	Dishwashers			n°/file	mod
validated by	date/date	total blat	N° blat	Next blat	82181   -4	
		6	5	-6		

A  
B  
C  
D  
E  
F  
G  
H

QF1/QF2	PROTEZIONE TERMICA POMPA LAVAGGIO THERMAL PROTECTION	PROTECTION THERMIQUE WARMESCHUTZ
NR3A/NR3B	CONTATTO AUSILIARIO KR3 AUXILIARY CONTACT KR3	RELAIS DE POMPE DE RINCAGE KR3 HILFSKONTAKT KR3
KR3	RELE ATTIVAZIONE POMPE RISCIAQUO RINSE PUMPS RELAY	RELAIS DE POMPE DE RINCAGE SPULPUMPENRELAIS SPULLEN
M9	VENTOLA CONDENZA VAPORI STEAM CONDENSOR FAN	VENTILATEUR DE CONDENSEUR DE VAPEUR DAMPFKONDENSATORLUFTER
S5	MICROINTERRUTTORE MAGNETICO MAGNETIC SAFETY MICROSWITCH	MICROINTERRUTEUR MAGNETIQUE MAGNETISCHER SICHERHITSSCHALTER
F1	TERMOSTATO SICUREZZA BOILER SAFETY BOOSTER HEATER THERMOSTAT	THERMOSTAT DE SECURITE DU BOYLER SICHERHEITZUNG
F3	TERMOSTATO SICUREZZA VASCA SAFETY TANK HEATER THERMOSTAT	THERMOSTAT DE SECURITE CUVE SICHERHEITS- TANKTHERMOSTAT
R3	RESISTENZA VASCA LAVAGGIO WASH TANK HEATING ELEMENT	RESISTANCE CUVE DE LAVAGE WASCHTANKHEIZUNG
R1	RESISTENZA BOILER BOOSTER HEATER HEATING ELEMENT	RESISTANCE BOYLER BOILERHEIZUNG
M5	ELETTRODOSATORE TENSOATTIVO EL. RINSE/INJECTOR	DOSEUR EL. PRODUIT RINCAGE NACHSPUELMITTELDOSIERGEAET
M6	ELETTROPOMPA DI SCARICO DRAIN PUMP	MOTEUR POMPE VIDANGE MOTOR LAUGENPUMPE
M3/M11	ELETTROPOMPA AUMENTO PRESSIONE RINSE BOOSTER PUMP	ELECTROPOMPE AUGMENT PRESSION DRUCKSTEIGERUNGSPUMPE
M7/M8	ELETTRODOSATORE DETERSIVO EL. DETERGENT INJECTOR	DOSEUR EL. DETERGENT SPUEL MITTELDOSIERGEAET
M1/M10	ELETTROPOMPA LAVAGGIO WASH ELECTRIC PUMP	ELECTROPOMPE LAVAGE ELEKTRISCHE UMWAEHZPUMPE
KR3	TELERUTTORE SICUREZZA LINEA SAFETY/LINE CONTACTOR	CONTACTEUR DE SECURITE DE LIGNE NETZSICHERHEITSSCHUTZ
KR4	TELERUTTORE RESISTENZA VASCA TANK HEATER CONTACTOR	CHASSIS DE RESISTANCE DE RESERVOIR TANK WIDERSTAND CHASSIS
KR2	TELERUTTORE RESISTENZA BOILER BOOSTER HEATER CONTACTOR	CONTACTEUR RESISTANCE BOYLER LUFTSCHUETZ F. BOILERHEIZUNG
M11/M12	TELERUTTORE ELETTROPOMPA LAVAGGIO WASCH PUMP CONTACTEUR	CONTACTEUR ELECTROPOMPE LAVAGE SCHUETZ F. UMWAEHPUMPE
F4/F6	PROTEZIONE TERMICA ELETTROPOMPA EL. WASH PUMP THERMAL PROTECTION	PROT. THERMIQUE MOTEUR EL. POMPE THERMISHER MOTORSCHULTZ
Y1	ELETTROVALVOLA CARICAMENTO FILL SOLENOID VALVE	ELECTROVANNE DE RINCAGE MAGNETVENT FUER NACHSPUELUNG
B19	PRESSOSTATO LIVELLO DI SICUREZZA SAFETY LEVEL PRESSOSTAT	PRESSOSTAT DE NIVEAU DE SECURITE SICHERHEITSNIVEAU DRUCKSCHALTER
E2	SONDA CONTROLLO VASCA PROBE TANK HEATER	THERMOSTAT RESISTANCE CUVE THANKHEIZUNG/THERMOSTAT
E1	SONDA CONTROLLO BOILER BOOSTER HEATER THERMOSTAT	THERMOSTAT RESISTANCE BOYLER BOILERHEIZUNG
C1/C2/C3	CONDENSATORE CAPACITOUR	CONDENSEUR KONDENSATOR
B10	PRESSOSTATO LIVELLO BOILER BOILER PRESSURE SWITCH	PRESSOSTAT NIVEAU SURCHAUFFER NACHSPULBOILER NIVEAUSCHALTER
B18	CONTROLLO LIVELLO BRILLANTE RINSE AID CONTROL LEVEL	CONTROLE NIVEAU PRODUIT DE RINCAGE STUFE GLANZMITTEL
B12	CONTROLLO LIVELLO DETERGENTE DETERGENT LEVEL	CONTROLE NIVEAU DETERGENT SPULMITTELNIVEAUSCHALTER
B16	PRESSOSTATO LIVELLO VASCA TANK PRESSURE SWITCH	PRESSOSTAT NIVEAU AIRGAP TANKDRUCKSCHALTER-NIVEAUREGLER
A1/A2/A3	SCHEDE CONTROLLO ELECTRONIC CONTROL UNIT	FICHE DE CONTROLE ELECTRONIQUE ELEKTRONISCHE BEDIENUNGSKARTE
F5	FUSIBILE FUSE	FUSIBLE SICHERUNG
SIMB.	DESCRIZIONE DESCRIPTION	DESCRIPTION BESCHREIBUNG



code Machine		denomination		Code	
re-examined	date	WIRING DIAGRAMM		82181	
inspected by	date				
validated by	date	Dishwashers		n°/file	mod
		total blatt	N° blatt	Next blatt	
		6	6		82181-4

DESCRIZIONE	SOSTITUIISCE	DATA
-3		
-2		